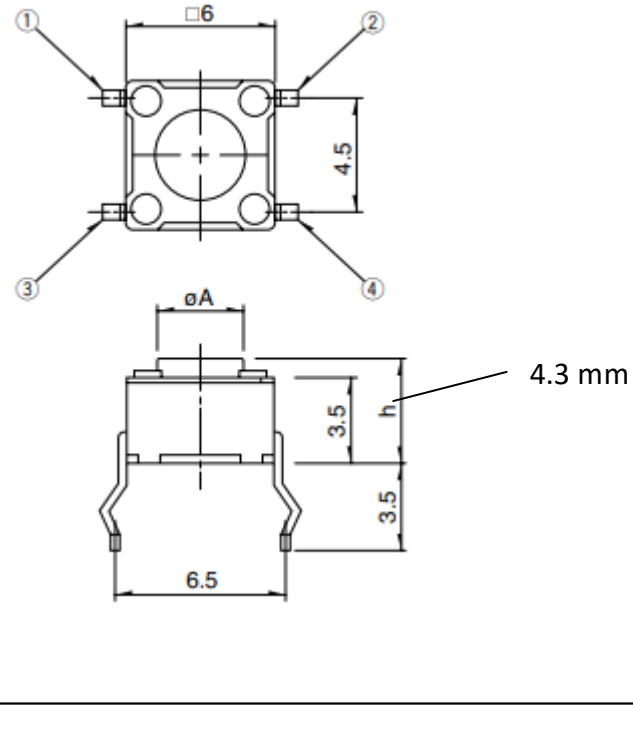


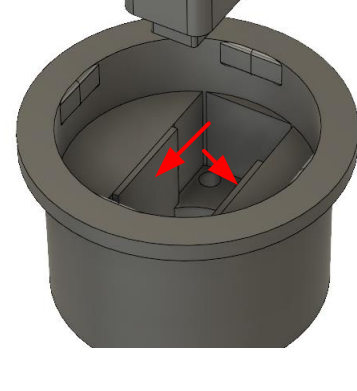
# POV / HAT SWITCHES



**All tactile switches:**  
 6 x 6 x 4.3 mm  
 Actuation force  $\geq 2.55$  N  
 e.g. Alps SKHHAQA010

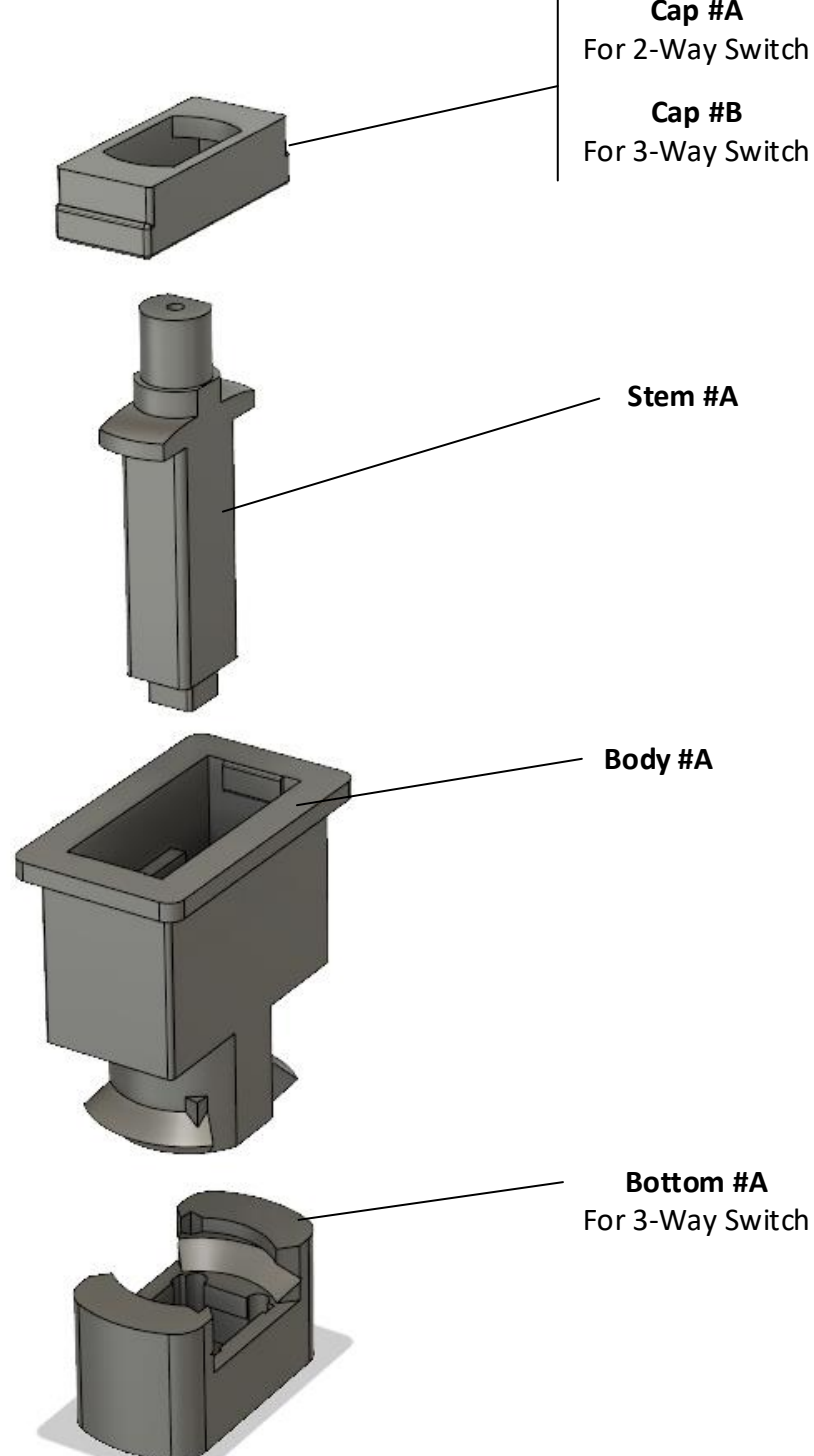


**Pilot hole**  
 To add strength, drill as required and glue in a piece of wire or rod.

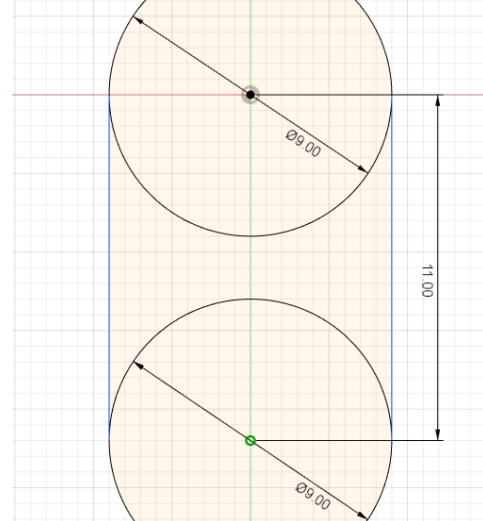
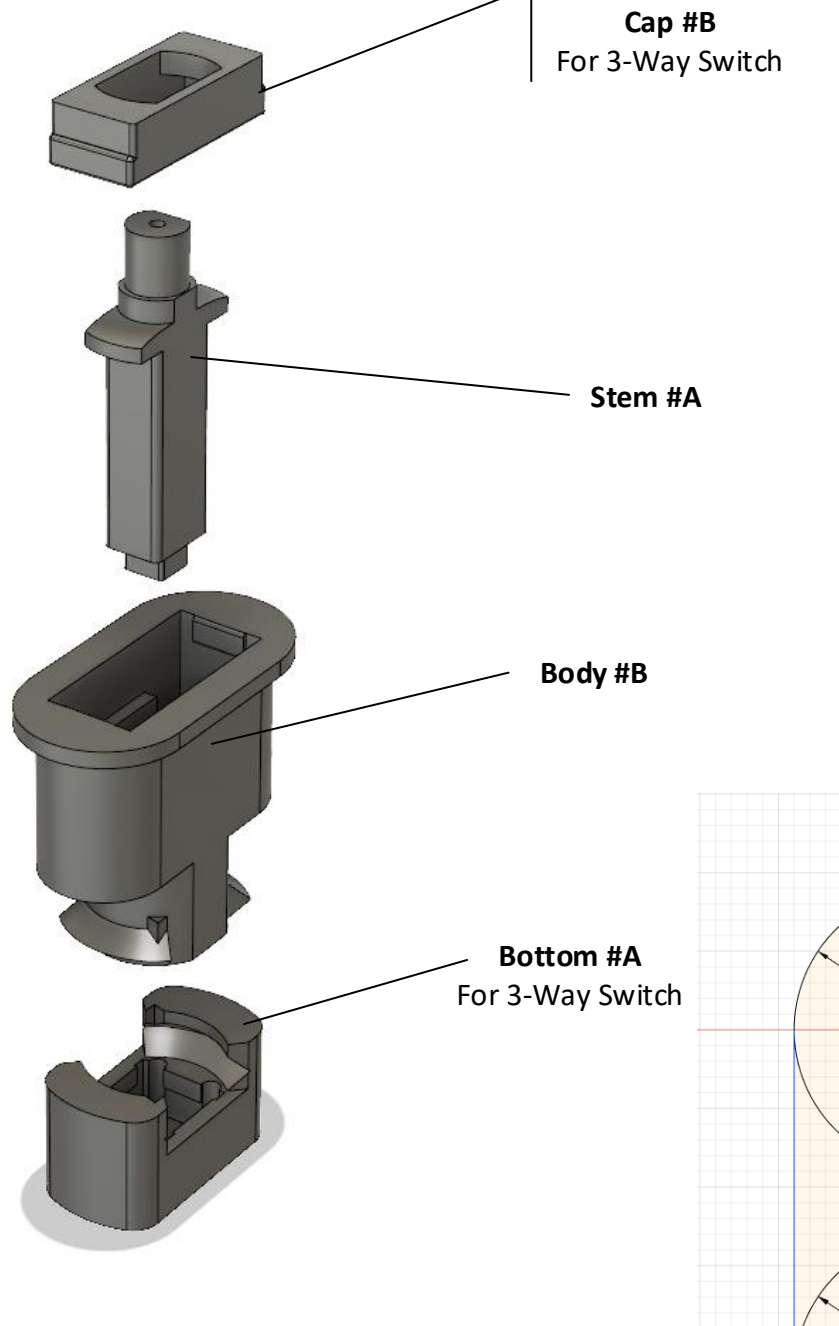


**3-Way Switches**  
 Use file or fine sanding paper to remove layer lines for smooth press operation

## Option 1 2- and 3- Way Switches

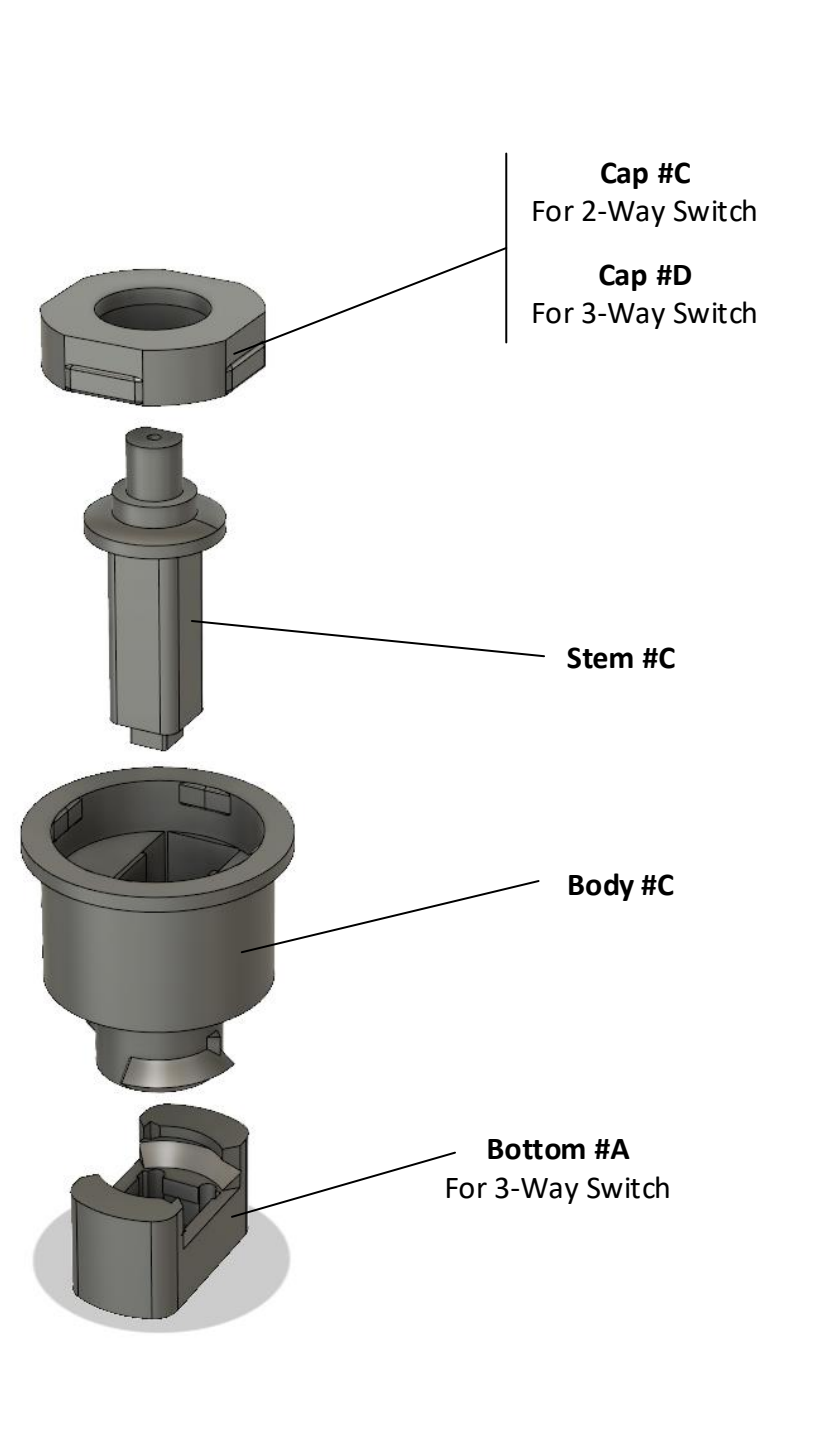


## Option 2 2- and 3- Way Switches

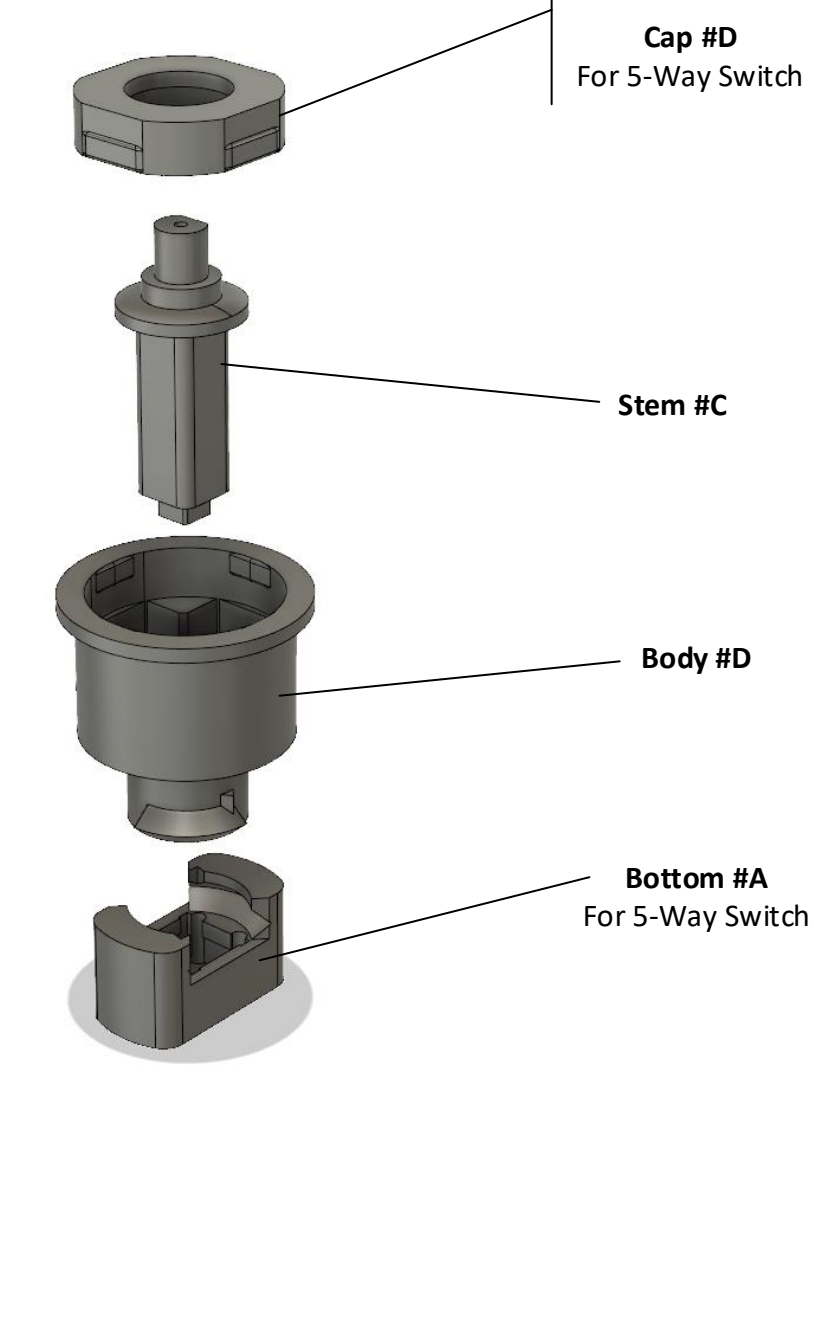


Cut Out Schematic

## Option 3 2- and 3- Way Switches



## Option 4 4- and 5- Way Switches



## HAT Caps

