

SIMAGIC AIR LINK

USER MANUAL

Contents

1. Introduction

1.1 Overview	03
1.2 Specifications	04
1.3 Package Contents	04
1.4 Certification Information	05

2. Instructions for Use

2.1 User Tutorial	06
2.2 Function Introduction	07
2.3 Installation Guide	07
2.4 Product Dimensions	08
2.5 Product Compatibility List	09

3. Software Guide 10

4. Warranty Description 11

5. Safety Information 13

6. Contact Us 15

Thanks for choosing SIMAGIC. We can't wait to see you out on track. Before using your new SIMAGIC Air Link, please review this manual for essential information around installation, safe usage practices, and more.

KEEP RACING!

1.Introduction

1.1 Overview

Product Identification

Model: SIMAGIC Air Link

Serial Number (S/N): The SIMAGIC product serial number (S/N) is an essential credential for after-sales service and technical support. Please keep it properly for future reference. The S/N consists of 10 or 14 digits and is clearly printed and affixed to both the product packaging label and the product body.

Designed by: SHEN ZHEN SIMAGIC TECHNOLOGY CO.,LIMITED

Manufacturer: Speed sim industry (Shenzhen) Co. LTD

- **Address:** Building 10, DCC Cultural and Creative Park, South China City, Pinghu Street, Longgang District, Shenzhen, China
- **Email:** support@simagic.com

Contact Information within EU:

- **Address:** Bureau 450, 37 passage du Ponceau, Paris, France 75002
- **Tel:** +33-170613157
- **Email:** admin@mega-lages.com

MADE IN CHINA

Date of Manufacture: Please refer to the label on the product, packaging, or nameplate. Scan the serial number on the package for confirmation.

SIMAGIC Air Link

- **High Bandwidth:** SIMAGIC's self-developed wireless solution, high bandwidth, specially optimized for racing simulators.
- **Low-latency rapid response:** Optimized for simulator scenarios with deep performance enhancements, low latency, and smooth, responsive operation.
- **Plug and play:** Automatically connects to devices such as the steering wheel and dashboard, without requiring additional operations on the PC.

1.2 Specifications

Product Name	SIMAGIC Air Link
Product Model	SIMAGIC Air Link
Material	ABS+PC
Dimensions (L x W x H)	79.7*79.7*40.6mm
Net weight	76.3g
Wireless module	2.4GHz Wi-Fi: 2.400GHz ~ 2.497GHz , 11dBm~20dBm , 5.8GHz Wi-Fi : 5.15GHz ~ 5.850GHz, 10dBm~17dBm Bluetooth: 2.400GHz ~ 2.4835GHz , 0dBm ~ 10dBm
Electrical parameters	DC 5V 0.15A

* Specifications subject to change without notice

1.3 Package Contents

SIMAGIC Air Link (accessories) include:

- USB data cable x 1
- Tweezers x 1
- Quick Guide x 1

1.4 Certification Information



This device complies with Part 15 of the FCC Rules. Operation is subject to the following two conditions: (1) This device may not cause harmful interference, and (2) This device must accept any interference received, including interference that may cause undesired operation.



The device is CE certified and meets the requirements of the European Union Directive 2014/53/EU on radio equipment.



본 제품은 한국 전파법 및 관련 기술기준에 적합하며 KCC 무선통신 기기 인증을 취득하였습니다.



These symbols indicate that you must follow the Waste Electrical and Electronic Equipment (WEEE) and Waste Battery and Battery Regulations when disposing of the device, its batteries and accumulators, and its electrical and electronic accessories. According to the rules, this equipment must be disposed of separately at the end of its service life. Do not dispose of the device, its batteries and accumulators, or its electrical and electronic accessories together with unsorted municipal waste, as this will harm the environment. To dispose of this equipment, it must be returned to the point of sale or turned in to a local recycling facility. You should contact your local household waste disposal service for details.



This device complies with the requirements for the restriction of hazardous substances (RoHS) in electrical and electronic equipment as stipulated in Directives 2011/65/EU and 2015/863. The content of hazardous substances including lead, mercury, cadmium, hexavalent chromium, polybrominated biphenyls (PBBs), polybrominated diphenyl ethers (PBDEs) and four phthalates in its homogeneous materials is below the statutory limit values.



This product complies with UKCA relevant regulations and standards.



This product complies with the requirements of the Australian and New Zealand Radiocommunications Act (RCM), meeting Electromagnetic Compatibility (EMC) and electrical safety standards.



The product has passed all evaluation procedures established in the technical regulations of the Customs Union and complies with the norms of the Customs Union countries.

TELEC 本製品は電波法に基づく技術基準適合証明（TELEC）を取得しております。

ISED Le présent dispositif est conforme aux exigences techniques d'ISED Canada et aux normes applicables aux appareils radio.

SRRC 本产品已获得国家无线电发射设备型号核准（SRRC），符合中国无线电管理相关规定。

2. Instructions for Use

2.1 User Tutorial

Thank you for purchasing the SIMAGIC Air Link. Before setting up the product, carefully read all the documentation that came with the package.

- For information about firmware upgrades, please check <https://simagic.com/pages/download-center>

* The related files are game adaptation files developed by SIMAGIC for SIMAGIC-compatible devices. To safeguard users' legal rights and interests, please download all files through SIMAGIC's designated channels.

- Please visit SIMAGIC official YouTube channel (<https://www.youtube.com/@simagicofficial6890>) for tutorial videos showcasing different product setup options and usage techniques. Learn more about the development behind our products.
- Please visit <https://simagic.com/pages/telemetry-support> to access the list of games supported by this product. Note that using this product in non-supported games may result in certain functions not working as intended.



This product is intended for indoor use only.



Recommended ages: 15 and above

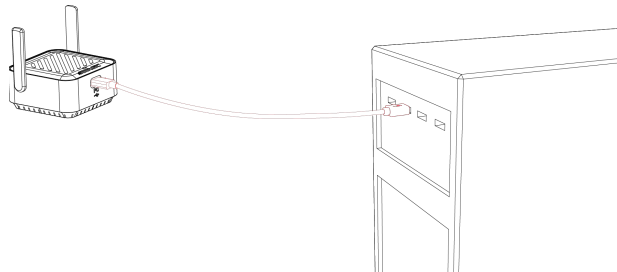


2.2 Function Introduction

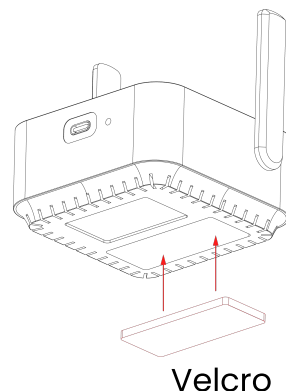
This product uses SIMAGIC's self-developed wireless connection technology to achieve stable, low-latency wireless data transmission between the computer and the wheel screen and dash. Once the device is plugged into the computer, no setup is required—it is plug-and-play, automatically establishing a dedicated wireless connection to clearly display vehicle information such as RPM, speed, and gear in the game on the screen. Touch operations on the screen can also be promptly fed back to the computer, and connected devices can be viewed through Simpro Manager. Say goodbye to cumbersome cables, making the cockpit cleaner and usage simpler and more convenient.

2.3 Installation Guide

① Connect the SIMAGIC Air Link to the PC via a USB-C data cable, open SimPro, and the SIMAGIC Air Link will automatically scan for nearby SIMAGIC devices and connect on its own.

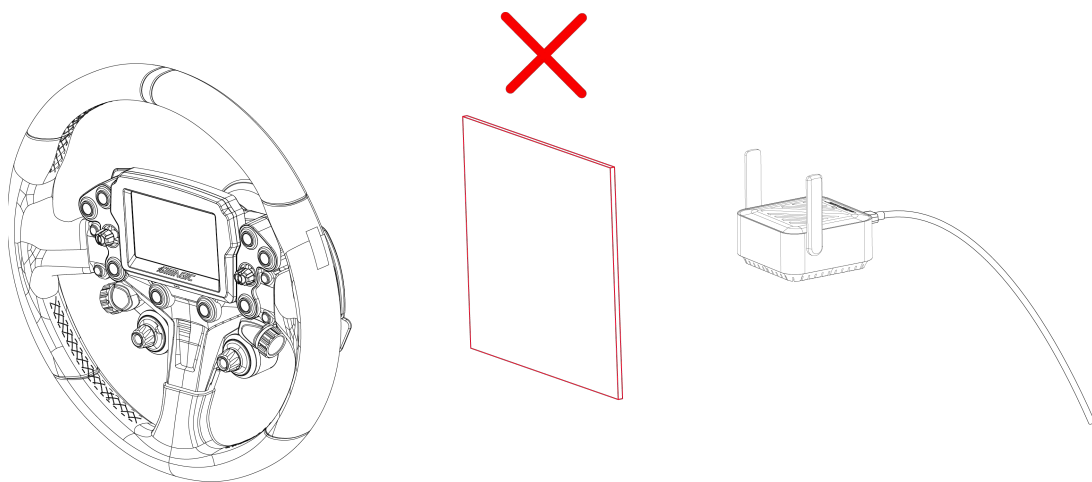


② Attach the Velcro to the bottom of the SIMAGIC Air Link, and then use the Velcro to secure the SIMAGIC Air Link in other locations.

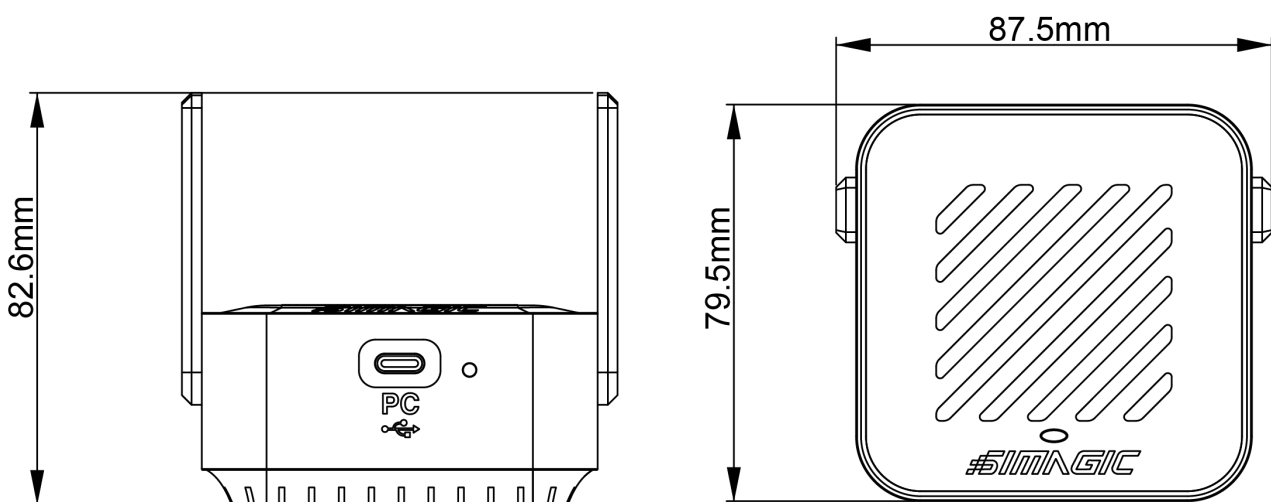


③ Please ensure that there is no metal blocking the signal between SIMAGIC Air Link and the steering wheel

Please ensure there is no metal obstructing the signal between SIMAGIC Air Link and the steering wheel



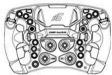
2.4 Product Dimensions



2.5 Product Compatibility List

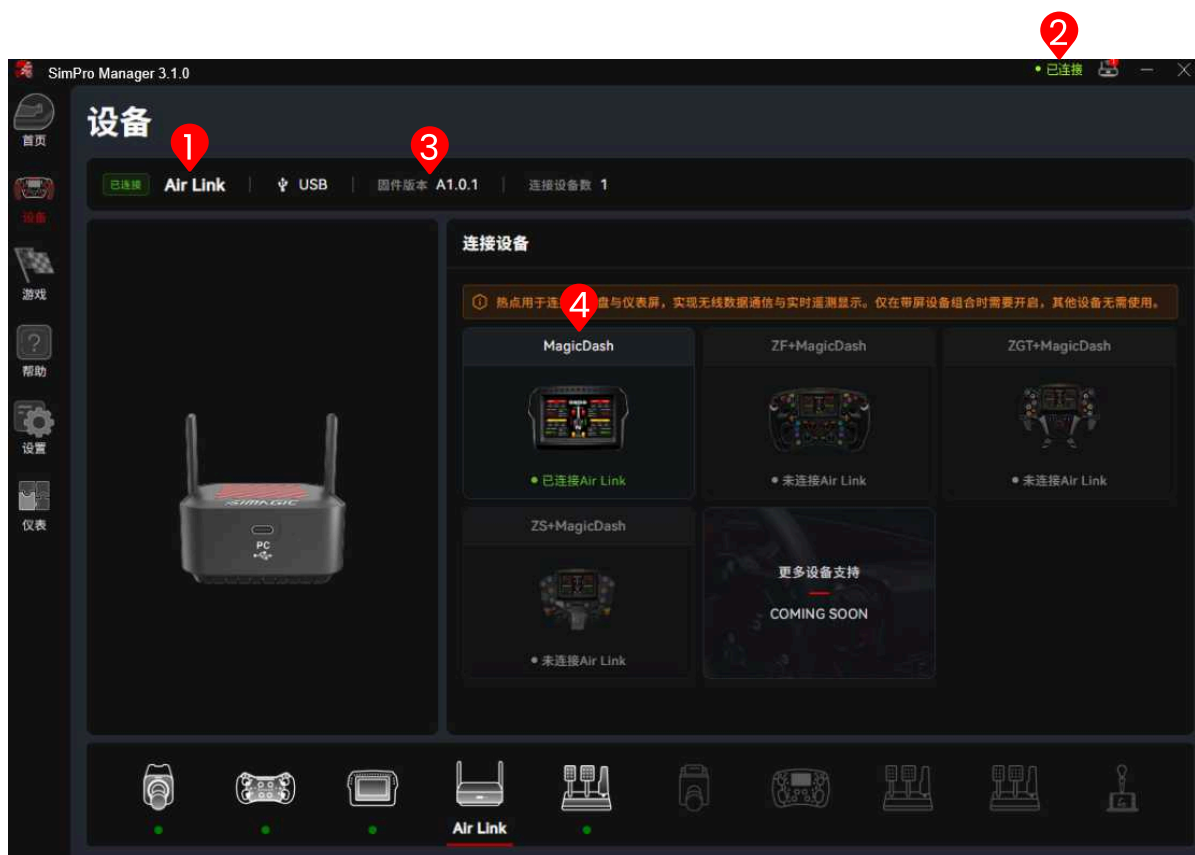
Connection and Compatibility Instructions

Please refer to the table below to select the required accessories based on the model of the steering wheel you are using, whether you are using MagicDash 4, and the type of base it is paired with. The related functions can only be activated with the corresponding accessories, so please ensure proper configuration to enjoy the full experience.

 Steering wheel	 MagicDash 4	 Wheelbase	 Required Accessories	 SIMHUB
Zeus Series	✓	Alpha EVO Series	SIMAGIC Air Link	SimHub Dash Supported
✗	✓	Alpha EVO Series		SimHub Dash Supported
Zeus Series	✗	Alpha EVO Series	No Accessories Required	SimHub Not Supported
Zeus Series	✓	Alpha EVO Series	Maglink Pro/ Maglink Pro Xtend	SimHub Dash & Lighting Supported
Zeus Series	✗	Alpha EVO Series		SimHub Lighting Supported
Zeus Series	✓	Third-Party Wheelbase	Maglink Pro	SimHub Dash & Lighting Supported
Zeus Series	✗	Third-Party Wheelbase		SimHub Lighting Supported
✗	✓	Third-Party Wheelbase	MagDock	SimHub Dash Supported
*Related accessories sold separately.				

3. Software Guide

The software interface shown in this manual is based on the final version released on the official website. Since the software version may be updated iteratively, the actual interface may differ from the manual. For the complete operating instructions and feature details of SimPro Manager settings, please refer to the information released through official channels. Below is a diagram of the [main interface]:



Through our software SimPro Manager, SIMAGIC Air Link can perform the following functions for viewing and management:

- ① Viewing information: Supports viewing basic information such as device name, connection status, firmware version, and the number of connected devices.
- ② Device recognition and display: Once a device is connected, it can automatically recognize the Air Link device and load relevant information.
- ③ Firmware management: Supports viewing the Air Link firmware version and upgrading the device firmware.
- ④ Viewing devices connected to Air Link: Supports viewing the names, icons, and connection status of currently connected devices in the device list on the right, making it convenient to quickly check device connection status.

4. Warranty Description

Warranty Terms

The warranty period is 12 months from the date of purchase. During the warranty period, if there are issues with the machine's components, materials, or craftsmanship under normal use and maintenance, and the problem is confirmed after inspection, the company will provide free repairs and replacement parts.

SIMAGIC product's Serial Number (S/N) will serve as the primary identifier for after-sales support. You can locate the S/N on the product packaging and the product itself, attached via a sticker on the product surface. Simply provide the 10 or 14-digit S/N to our customer service team or SIMAGIC distributor when applying for after-sales service, and they will assist you promptly. For users who have products with serial numbers, there's no need for warranty cards. However, if your product does not have a serial number, you will need to retain your warranty card for after-sales support.



Your product's serial number can be found on the label sticker of wrapping

*Consumer Law. This Limited Warranty gives you specific legal rights, and you may have other rights that vary by your country, province or state, as applicable. Other than as permitted by law, SIMAGIC does not exclude, limit or suspend other rights you may have. For a full understanding of your rights, you should consult the laws of your country, province or state, as applicable.

SIMAGIC establishes dealer terms and consumer product warranty terms, requiring official partners such as dealers and agents to provide consumers with standardized SIMAGIC warranty services to safeguard consumers' legal rights.

SIMAGIC adheres to a service spirit that is responsible for users and ensures user confidence, striving to create the ultimate user experience. Regarding these warranty terms, if adjustments are necessary, we regret that specific notifications may not be provided.

Please refer to the latest content released through official channels such as the official website. Please avoid causing damage to the machine intentionally. Do not deviate from the guidance of official or officially authorized personnel when performing non-normal hardware or system operations on the machine. For detailed usage instructions, please visit <https://simagic.com/pages/product-tutorial>.

Disclaimer

The Limited Warranty does not apply to any:

- a) Failure to provide proof of purchase for the product or an order number, or if there is reason to believe that they have been forged or altered.
- b) The warranty claim is made in a country or customs area other than where the product was originally purchased.
- c) Damage caused to the product by disassembly or modification of its structure without written authorization from SIMAGIC.
- d) Products purchased from a retailer other than SIMAGIC's official online store.
- e) Cosmetic damage, including but not limited to scratches, dents, and plastic damage at ports, unless the damage is caused by defects in materials or workmanship.
- f) Damage caused by not adhering to SIMAGIC's product usage and operation specifications, or by modifying or disassembling the product.
- g) Damage caused by using third-party components or products that do not meet the specifications of SIMAGIC's hardware products.
- h) Defects caused by normal wear and tear or normal aging of the product.
- i) The serial number on SIMAGIC's product has been removed or altered.
- j) If SIMAGIC receives information from relevant authorities that the product has been stolen, and the user cannot prove in any way that they are the authorized user of the product.
- k) Damage caused by accidents, lightning strikes, corrosion, fire, liquid contact, earthquakes, or other external causes.

5. Safety Information

In order to achieve maximum safety while using your products, We suggest that you adopt the following guidelines:

* Storage and Operating Conditions:

Operating Temperature	0°C~40°C
Humidity	20% – 80% RH, Non-Condensing.
Storage and Usage	For indoor use only. Avoid direct sunlight. If the device is moved from a cold outdoor environment indoors, leave it unused for 2 hours to allow condensation to dissipate before powering on.

This product is designed to operate under the conditions specified above. Operating outside these conditions may cause certain functions to malfunction or affect overall performance.

Before using the product, ensure it has adjusted to the recommended indoor temperature if it was exposed to extreme heat or cold.

- ⚠ This product is intended for sim racing only.
- ⚠ Should you have trouble using the product properly and troubleshooting does not work, unplug the power and go to your local distributor for support. Do not attempt to service or fix the product yourself at any time.
- ⚠ To prevent fire or shock hazard, never expose the products to rain or moisture.
- ⚠ Only use the power and/or accessories included in the package, and/or purchase accessories made and/or approved by the manufacturer.
- ⚠ Use only a standard AC wall outlet with protective grounding to avoid product damage or electric shock.
- ⚠ When terminating use, please turn off the buttons and power equipment to prevent accidents.
- ⚠ Unplug the unit during a lightning storm or if it will not be used for a long period of time.
- ⚠ This device contains no user-serviceable parts. Disassembly may result in a risk of electric shock. Do not take apart the phone (doing so will void your warranty), component replacements must be carried out or authorized by SIMAGIC's official repair center.

When using the simulator, please pay attention to the following:

- ⚠ This product is not intended for use by children under 14 years of age.
- ⚠ First-time users or those experiencing the device should be guided by the device owner.
- ⚠ This product operates with a high-torque direct-drive motor. Keep limbs, hair, loose clothing, cables, and accessories away from rotating parts (quick-release mechanism) during operation. Strong force feedback may cause serious crushing injuries, muscle damage, or fractures.
- ⚠ Kill Switch is a legally required safety device. Before starting any driving simulation, ensure that the Kill Switch is connected and placed within the operator's reach. Under no circumstances, if control of the device is lost, should you delay pressing the Kill Switch.
- ⚠ Users with a history of epilepsy, heart disease, or who have a pacemaker should consult a qualified physician before using this device. Certain patterns may trigger seizures with no prior history. If you experience any symptoms, please stop using the product immediately and consult a doctor.
- ⚠ When using a high-torque base, the peak force feedback may cause hand injuries. If the feedback is too strong, release your hands immediately and adjust the feedback intensity parameters promptly to prevent potential accidents.
- ⚠ The equipment contains moving parts, pinch points, and sharp edges that may cause personal injury. Operate with caution to prevent pinching, bruising, kicking, smashing, or other bodily injuries.
- ⚠ It is recommended to limit the force feedback gaming time from 20 to 40 mins to avoid health risks from excessive use.
- ⚠ Users should refrain from driving a real car for at least 1 hour after finishing the game.
- ⚠ If any abnormalities are detected, stop using the device immediately and seek assistance from SIMAGIC's official or authorized service center.
- ⚠ Please follow SIMAGIC's official website and public platforms for the latest product information.

6. Contact Us



Discord



Youtube



Instagram



Facebook

SIMAGIC official website: <https://simagic.com/>

Global social media account name: simagic official

Copyright © 2025 SIMAGIC Tech Co.Ltd. All Rights Reserved.

The products and corporate names mentioned in this manual may or may not be registered trademarks or copyrights of their respective companies. They are used solely for the purposes of identification or explanation, and to the benefit of the owners, without any intention of infringement.

The specifications and information provided in this manual are intended for informational purposes only and are subject to change at any time without notice. They should not be interpreted as a commitment by SIMAGIC. SIMAGIC assumes no responsibility or liability for any errors or inaccuracies that may appear in this manual, including those related to the products and software described within it.

SIMAGIC shall not be liable for any lost profits, loss of information or data, special, incidental, indirect, punitive, or consequential damages arising in any way out of the distribution, sale, resale, use, or inability to use the Product. In no event shall SIMAGIC's liability exceed the retail purchase price of the Product.