

MAGLINK PRO XTEND

USER MANUAL

Contents

1. Introduction

1.1 Overview	03
1.2 Specifications	04
1.3 Package Contents	05
1.4 Certification Information	06

2. Instructions for Use

2.1 User Tutorial	07
2.2 Function Introduction	08
2.3 Installation Guide	08
2.4 Product Dimensions	12

3. Safety Information

13

4. Warranty Description

15

5. Legal Notices and Trademark

4.1 Trademark Information	17
4.2 Contact Us	18

Thanks for choosing SIMAGIC. We can't wait to see you out on track. Before using your new Maglink Pro Xtend, please review this manual for essential information around installation, safe usage practices, and more.

KEEP RACING!

1.Introduction

1.1 Overview

Product Identification

Model: Maglink Pro Xtend

Serial Number (S/N): The SIMAGIC product serial number (S/N) is an essential credential for after-sales service and technical support. Please keep it properly for future reference. The S/N consists of 10 or 14 digits and is clearly printed and affixed to both the product packaging label and the product body.

Designed by: SHEN ZHEN SIMAGIC TECHNOLOGY CO.,LIMITED

Manufacturer: Speed sim industry (Shenzhen) Co. LTD

- **Address:** Building 10, DCC Cultural and Creative Park, South China City, Pinghu Street, Longgang District, Shenzhen, China
- **Email:** support@simagic.com

Contact Information within EU:

- **Address:** Bureau 450, 37 passage du Ponceau, Paris, France 75002
- **Tel:** +33-170613157
- **Email:** admin@mega-lages.com

MADE IN CHINA

Date of Manufacture: Please refer to the label on the product, packaging, or nameplate. Scan the serial number on the package for confirmation.

1.2 Specifications

Product Name	Maglink Pro Xtend
Product Model	Maglink Pro Xtend
Casing Material	Aluminum Alloy
Power Consumption (Electrical Parameters)	5V 4A MAX
Dimensions (L x W x H)	Quick-release connector dimensions: 105 x 87 x 87 mm, Maglink Pro hub control box dimensions: 54.65 x 63.5 x 15.5 mm, Maglink Pro hub cable length: 120 cm, Maglink magnetic cable (extended length): 300 cm, Power adapter cable length: 100 cm
Net Weight	Quick-release connector weight: 510g Maglink Pro hub weight: 56.0g Maglink magnetic cable weight: 140.3g Power adapter weight: 137.0g
Included in the package	Quick-release connector, Maglink Pro hub, Maglink magnetic cable, Power adapter, Accessory kit, Quick guide

* Specifications subject to change without notice

1.3 Package Contents

Maglink Pro (Accessory) Includes:

- Quick release connector x 1, Maglink Pro hub x 1, Maglink magnetic cable x 1
- Power adapter x 1
- Accessory Pack (Hex Key No. 3 x 1, M4-18 Socket Head Cap Screw x 2, M4 Profile Nut Spring Washer x 2)
- Quick Guide x 1

1.4 Certification Information



This device complies with Part 15 of the FCC Rules. Operation is subject to the following two conditions: (1) This device may not cause harmful interference, and (2) This device must accept any interference received, including interference that may cause undesired operation.



The device is CE certified and meets the requirements of the European Union Directive 2014/53/EU on radio equipment.



本機器は、民間情報処理装置障害自主規制協議会（VCCI）のクラス B 情報通信機器の基準を満たしており、家庭及びそれに類する生活環境での使用に適しています。



These symbols indicate that you must follow the Waste Electrical and Electronic Equipment (WEEE) and Waste Battery and Battery Regulations when disposing of the device, its batteries and accumulators, and its electrical and electronic accessories. According to the rules, this equipment must be disposed of separately at the end of its service life. Do not dispose of the device, its batteries and accumulators, or its electrical and electronic accessories together with unsorted municipal waste, as this will harm the environment. To dispose of this equipment, it must be returned to the point of sale or turned in to a local recycling facility. You should contact your local household waste disposal service for details.



This device complies with the requirements for the restriction of hazardous substances (RoHS) in electrical and electronic equipment as stipulated in Directives 2011/65/EU and 2015/863. The content of hazardous substances including lead, mercury, cadmium, hexavalent chromium, polybrominated biphenyls (PBBs), polybrominated diphenyl ethers (PBDEs) and four phthalates in its homogeneous materials is below the statutory limit values.



The device complies with the requirements of Regulation (EC) No. 1907/2006 concerning Registration, Evaluation, Authorization and Restriction of Chemicals (REACH).



This product complies with the requirements of the Australian and New Zealand Radiocommunications Act (RCM), meeting Electromagnetic Compatibility (EMC) and electrical safety standards.



The product has passed all evaluation procedures established in the technical regulations of the Customs Union and complies with the norms of the Customs Union countries.

2. Instructions for Use

2.1 User Tutorial

Thank you for purchasing the SIMAGIC Maglink Pro Xtend. Before setting up the product, carefully read all the documentation that came with the package.

- For information about firmware upgrades, please check <https://simagic.com/pages/download-center>

* The related files are game adaptation files developed by SIMAGIC for SIMAGIC-compatible devices. To safeguard users' legal rights and interests, please download all files through SIMAGIC's designated channels.

- Please visit SIMAGIC official YouTube channel (<https://www.youtube.com/@simagicofficial6890>) for tutorial videos showcasing different product setup options and usage techniques. Learn more about the development behind our products.
- Please visit <https://simagic.com/pages/telemetry-support> to access the list of games supported by this product. Note that using this product in non-supported games may result in certain functions not working as intended.



This product is intended for indoor use only.

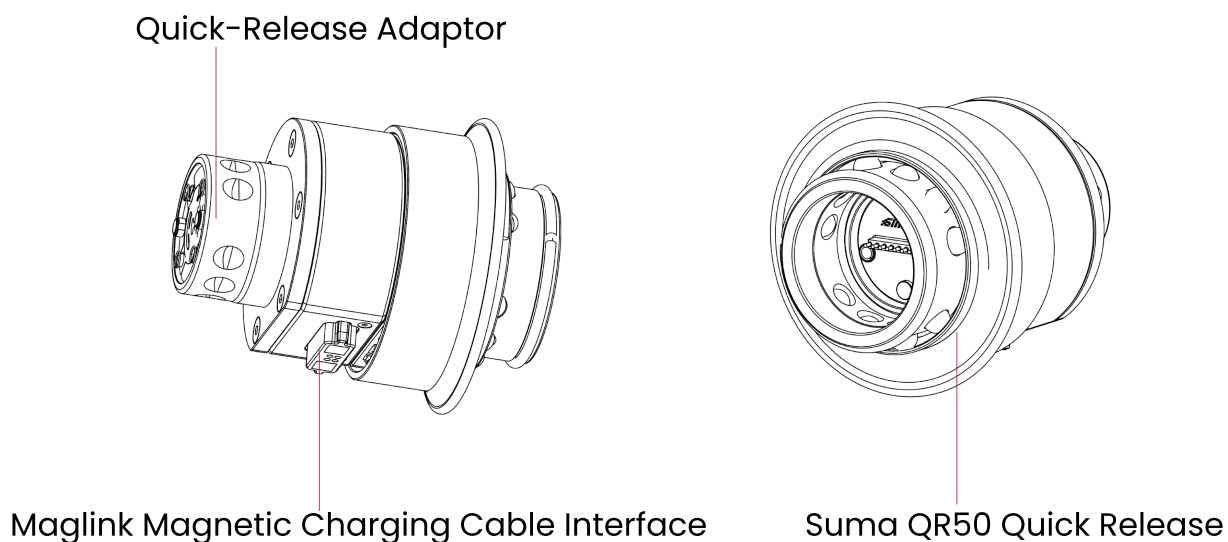


Recommended ages: 15 and above

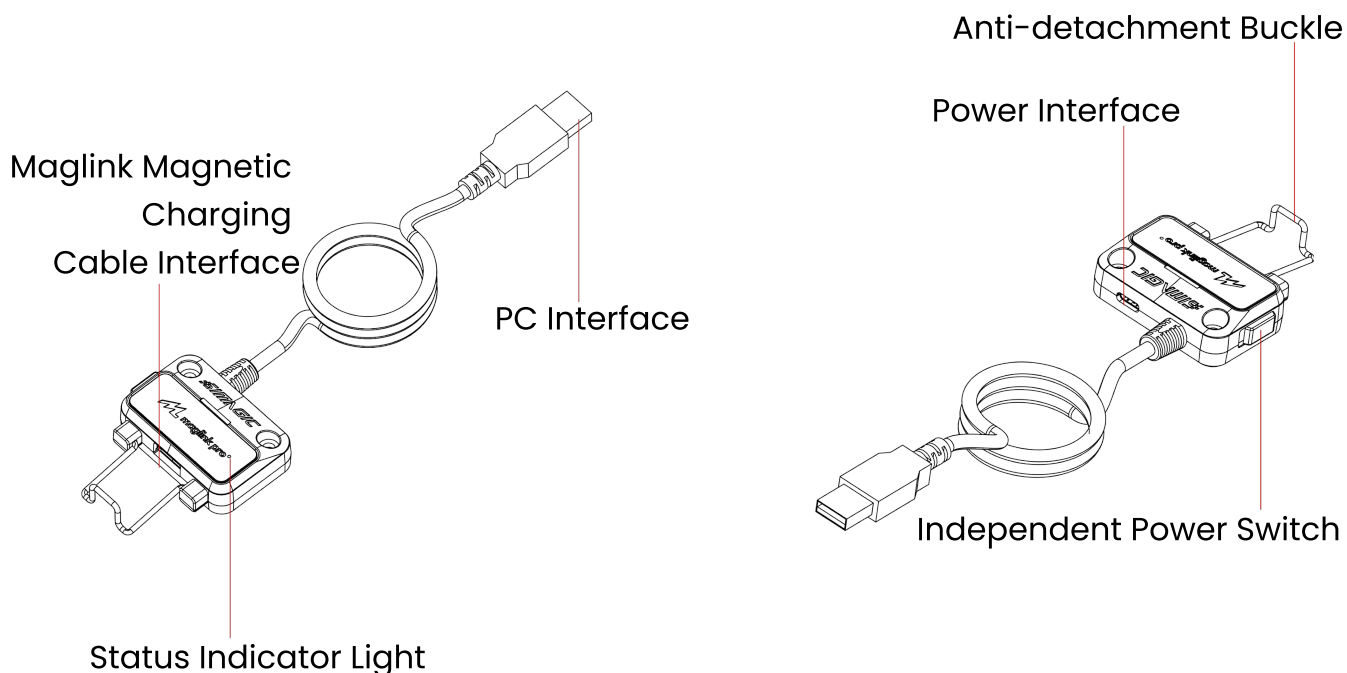


2.2 Function Introduction

2.2.1 Quick-Release Connector



2.2.2 Maglink Pro Hub



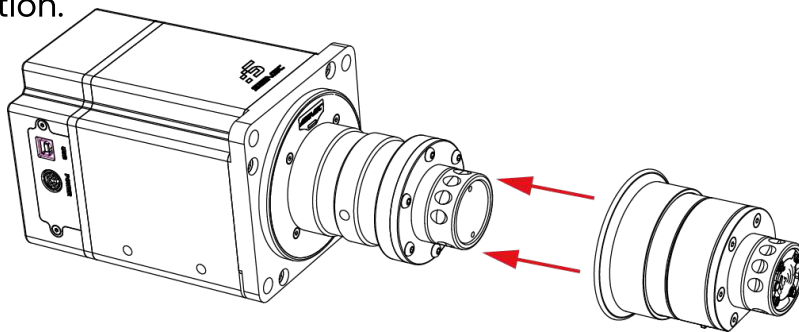
2.3 Installation Guide

Note: ① This product is only suitable for the Alpha series bases and is not applicable to the EVO series bases.

② Due to differences in the internal wiring sequence of the quick-release, this product is not recommended for use on third-party base products with the same quick-release to avoid short-circuit damage to the product.

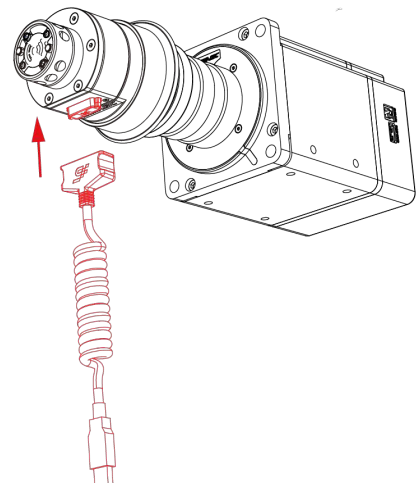
2.3.1 Installing Quick-Release Connectors

The base and quick-release connector quick-release structure consists of six steel balls on the top and four on the bottom. Insert the quick-release connector in the correct orientation.



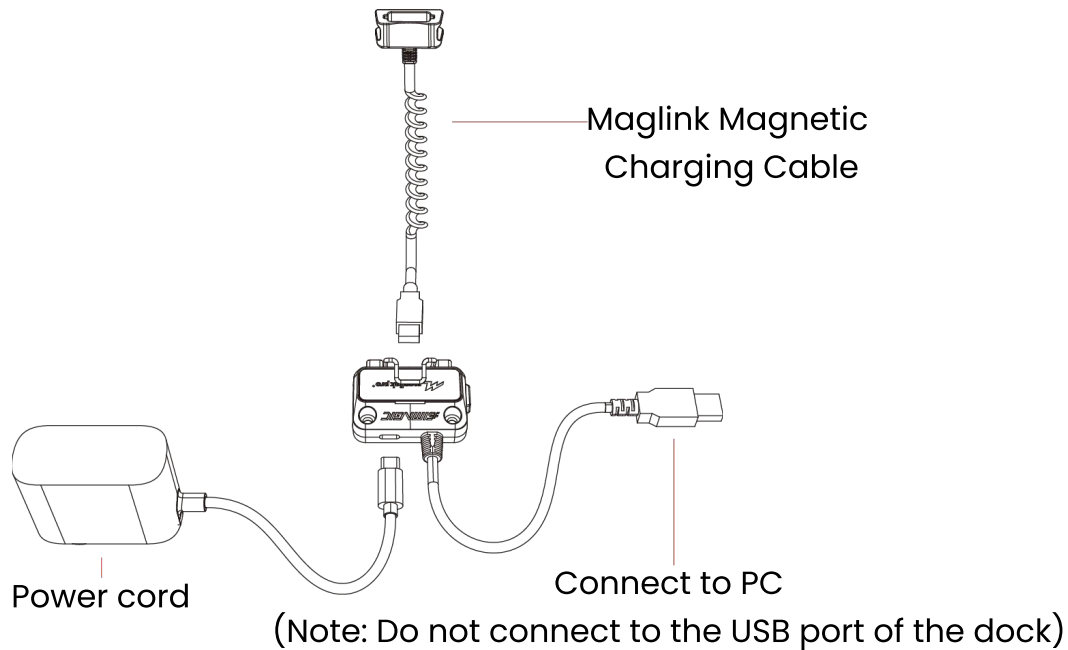
2.3.2 Connect the Maglink magnetic charging cable

Align the magnetic end of the Maglink magnetic cable with the magnetic port of the quick-release connector to connect them. The USB end of the magnetic cable can be plugged into the Maglink Pro hub.



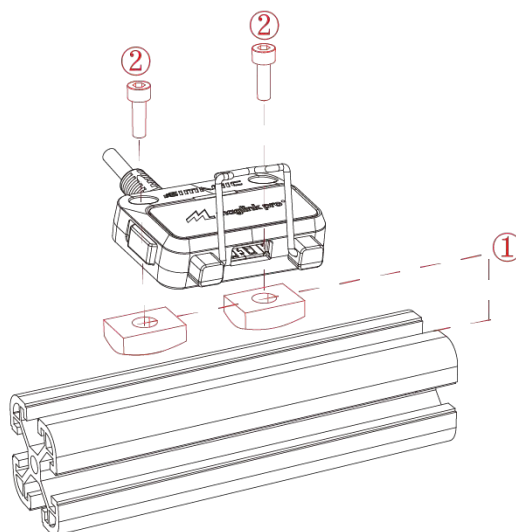
2.3.3 Install the Maglink Pro Hub

1. Connect the wires according to the diagram.

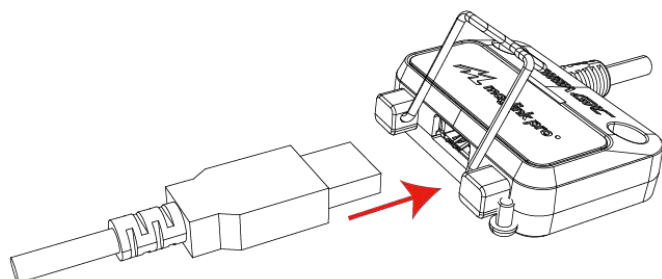


2. Connect the wires according to the diagram.

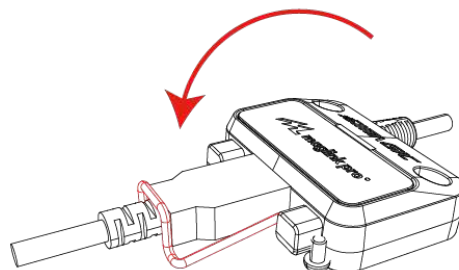
Place the profile nuts from the accessory kit into the profile, then place the Maglink Pro hub on the profile and secure it to the profile using the M4-18 cup head screws.



3. Use fixed fasteners to prevent wires from loosening



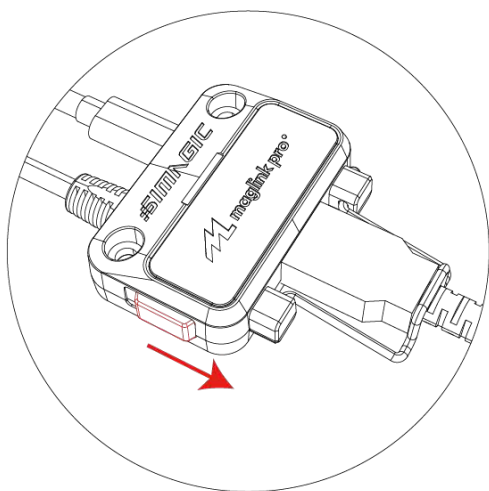
Connect the USB plug to the Maglink Pro hub port



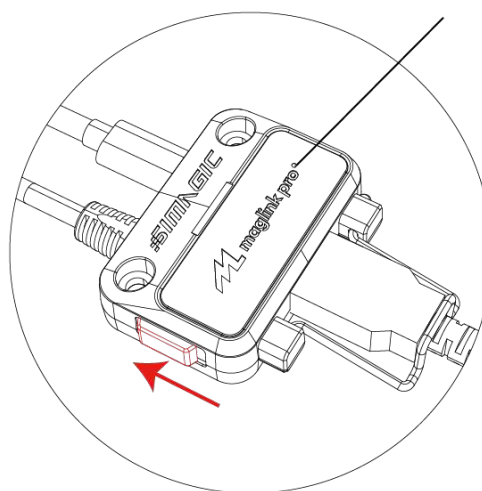
Flip latch locking plug

4. The Maglink Pro hub features independent control power switches.

The indicator light will turn on when connected.

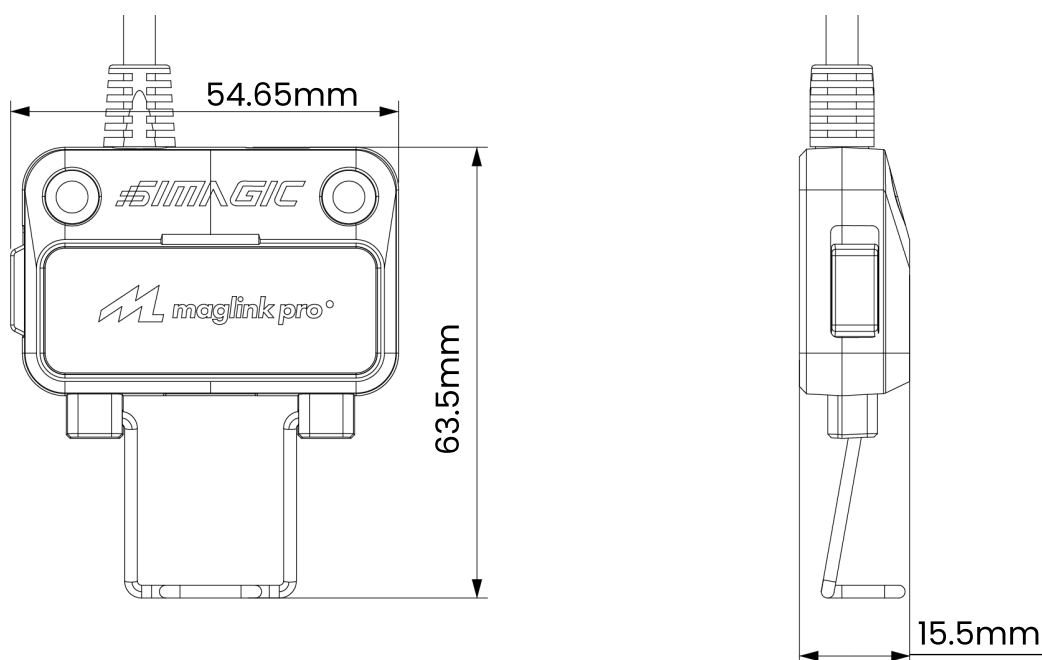
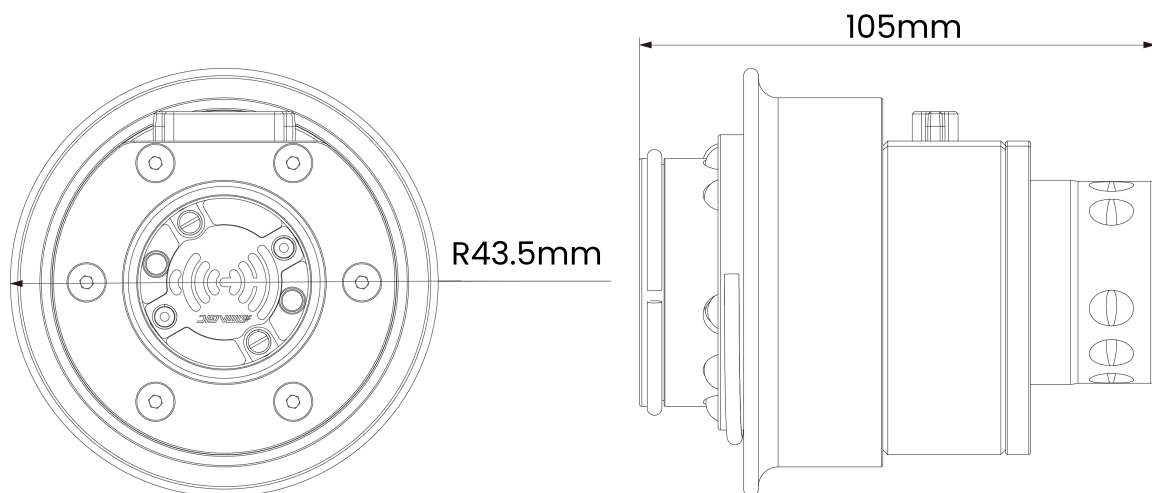


Cut off the power supply



Connect the power supply

2.4 Product Dimensions



3. Safety Information

In order to achieve maximum safety while using your products, We suggest that you adopt the following guidelines:

* Storage and Operating Conditions:

Operating Temperature	0°C~40°C
Humidity	20% – 80% RH, Non-Condensing.
Storage and Usage	For indoor use only. Avoid direct sunlight. If the device is moved from a cold outdoor environment indoors, leave it unused for 2 hours to allow condensation to dissipate before powering on.

This product is designed to operate under the conditions specified above. Operating outside these conditions may cause certain functions to malfunction or affect overall performance.

Before using the product, ensure it has adjusted to the recommended indoor temperature if it was exposed to extreme heat or cold.

- ⚠ This product is intended for sim racing only.
- ⚠ Should you have trouble using the product properly and troubleshooting does not work, unplug the power and go to your local distributor for support. Do not attempt to service or fix the product yourself at any time.
- ⚠ To prevent fire or shock hazard, never expose the products to rain or moisture.
- ⚠ Only use the power and/or accessories included in the package, and/or purchase accessories made and/or approved by the manufacturer.
- ⚠ Use only a standard AC wall outlet with protective grounding to avoid product damage or electric shock.
- ⚠ When terminating use, please turn off the buttons and power equipment to prevent accidents.
- ⚠ Unplug the unit during a lightning storm or if it will not be used for a long period of time.
- ⚠ Do not disassemble the device (doing so will void your warranty). Component replacement must be carried out by the SIMAGIC official service center or a SIMAGIC officially authorized repair facility.

When using the simulator, please pay attention to the following:

- ⚠ This device contains small parts and is prohibited for use by children under 6 years old. Children under 15 must use the device under adult supervision, adjust the force feedback parameters in child mode before use, and remain under supervision throughout.
- ⚠ First-time users or those experiencing the device should be guided by the device owner.
- ⚠ When using the equipment, please ensure that the surrounding environment is tidy, and keep limbs, hair, loose clothing, cables, and accessories away from rotating parts. Strong force feedback may cause serious crushing injuries, muscle damage, or fractures.
- ⚠ Users with a history of epilepsy, heart disease, or who have a pacemaker should consult a qualified physician before using this device. Certain patterns may trigger seizures with no prior history. If you experience any symptoms, please stop using the product immediately and consult a doctor.
- ⚠ When using a high-torque base, the peak force feedback may cause hand injuries. If the feedback is too strong, release your hands immediately and adjust the feedback intensity parameters promptly to prevent potential accidents.
- ⚠ The equipment contains moving parts, pinch points, and sharp edges that may cause personal injury. Operate with caution to prevent pinching, bruising, kicking, smashing, or other bodily injuries.
- ⚠ It is recommended to limit the force feedback gaming time from 20 to 40 mins to avoid health risks from excessive use.
- ⚠ Users should refrain from driving a real car for at least 1 hour after finishing the game.
- ⚠ If any abnormalities are detected, stop using the device immediately and seek assistance from SIMAGIC's official or authorized service center.
- ⚠ Please follow SIMAGIC's official website and public platforms for the latest product information.

4. Warranty Description

Warranty Terms

The warranty period is 12 months from the date of purchase. During the warranty period, if there are issues with the machine's components, materials, or craftsmanship under normal use and maintenance, and the problem is confirmed after inspection, the company will provide free repairs and replacement parts.

SIMAGIC product's Serial Number (S/N) will serve as the primary identifier for after-sales support. You can locate the S/N on the product packaging and the product itself, attached via a sticker on the product surface. Simply provide the 10 or 14-digit S/N to our customer service team or SIMAGIC distributor when applying for after-sales service, and they will assist you promptly. For users who have products with serial numbers, there's no need for warranty cards. However, if your product does not have a serial number, you will need to retain your warranty card for after-sales support.



Your product's serial number can be found on the label sticker of wrapping

*Consumer Law. This Limited Warranty gives you specific legal rights, and you may have other rights that vary by your country, province or state, as applicable. Other than as permitted by law, SIMAGIC does not exclude, limit or suspend other rights you may have. For a full understanding of your rights, you should consult the laws of your country, province or state, as applicable.

SIMAGIC establishes dealer terms and consumer product warranty terms, requiring official partners such as dealers and agents to provide consumers with standardized SIMAGIC warranty services to safeguard consumers' legal rights.

SIMAGIC adheres to a service spirit that is responsible for users and ensures user confidence, striving to create the ultimate user experience. Regarding these warranty terms, if adjustments are necessary, we regret that specific notifications may not be provided.

Please refer to the latest content released through official channels such as the official website. Please avoid causing damage to the machine intentionally. Do not deviate from the guidance of official or officially authorized personnel when performing non-normal hardware or system operations on the machine. For detailed usage instructions, please visit <https://simagic.com/pages/product-tutorial>.

Disclaimer

The Limited Warranty does not apply to any:

- a) Failure to provide proof of purchase for the product or an order number, or if there is reason to believe that they have been forged or altered.
- b) The warranty claim is made in a country or customs area other than where the product was originally purchased.
- c) Damage caused to the product by disassembly or modification of its structure without written authorization from SIMAGIC.
- d) Products purchased from a retailer other than SIMAGIC's official online store.
- e) Cosmetic damage, including but not limited to scratches, dents, and plastic damage at ports, unless the damage is caused by defects in materials or workmanship.
- f) Damage caused by not adhering to SIMAGIC's product usage and operation specifications, or by modifying or disassembling the product.
- g) Damage caused by using third-party components or products that do not meet the specifications of SIMAGIC's hardware products.
- h) Defects caused by normal wear and tear or normal aging of the product.
- i) The serial number on SIMAGIC's product has been removed or altered.
- j) If SIMAGIC receives information from relevant authorities that the product has been stolen, and the user cannot prove in any way that they are the authorized user of the product.
- k) Damage caused by accidents, lightning strikes, corrosion, fire, liquid contact, earthquakes, or other external causes.

5. Legal Notices and Trademark

5.1 Trademark Information



**Copyright © 2026 SHEN ZHEN SIMAGIC TECHNOLOGY CO.,LIMITED.
All Rights Reserved.**

The products and corporate names mentioned in this manual may or may not be registered trademarks or copyrights of their respective companies. They are used solely for the purposes of identification or explanation, and to the benefit of the owners, without any intention of infringement.

The specifications and information provided in this manual are intended for informational purposes only and are subject to change at any time without notice. They should not be interpreted as a commitment by SIMAGIC. SIMAGIC assumes no responsibility or liability for any errors or inaccuracies that may appear in this manual, including those related to the products and software described within it.

SIMAGIC shall not be liable for any lost profits, loss of information or data, special, incidental, indirect, punitive, or consequential damages arising in any way out of the distribution, sale, resale, use, or inability to use the Product. In no event shall SIMAGIC's liability exceed the retail purchase price of the Product.

5.2 Contact Us



Discord



Youtube



Instagram



Facebook

SIMAGIC official website: <https://simagic.com/>
Global social media account name: simagic official